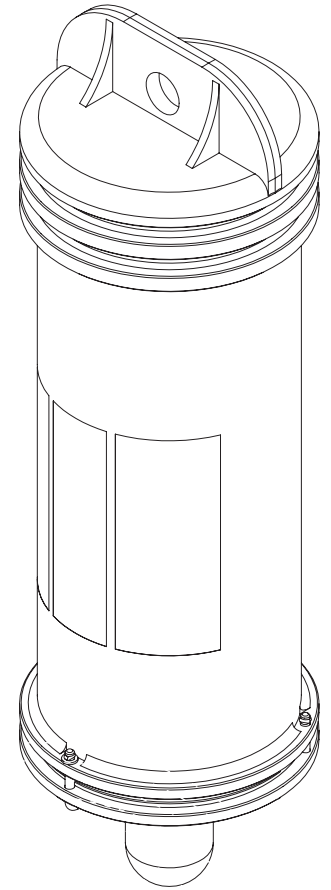




ACR Electronics - Quick Start Guide
Product: SM-2
Automatic Crew-Overboard Light

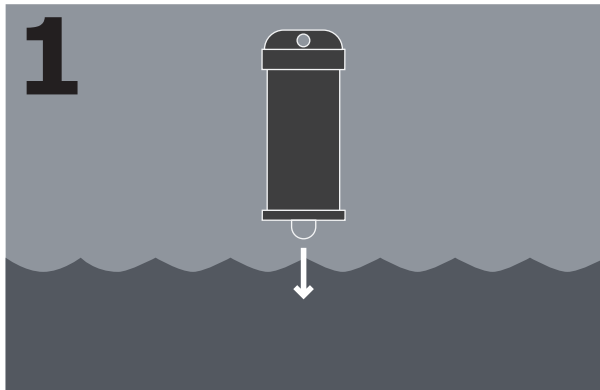
Product No.: 3940.1



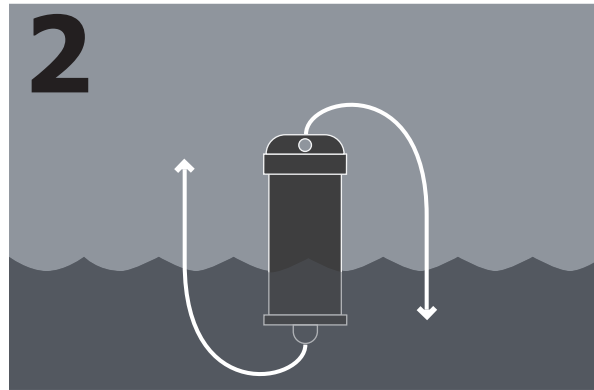
For a complete detailed owner's manual please visit: www.acrartex.com

USCG APPROVAL No. 161.010/27/2, Per [UL 1196]
USCG [SOLAS] APPROVAL No. 161.110/27/2
LSA CODE, RES. MSC. 81[70]

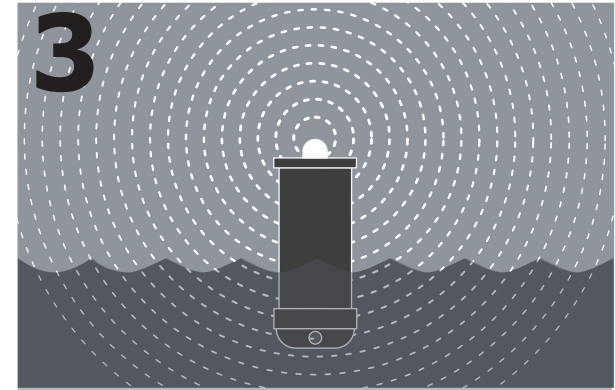
OPERATION / OPERATION / ANWEISUNG / INSTRUCCIÓN



Place in water

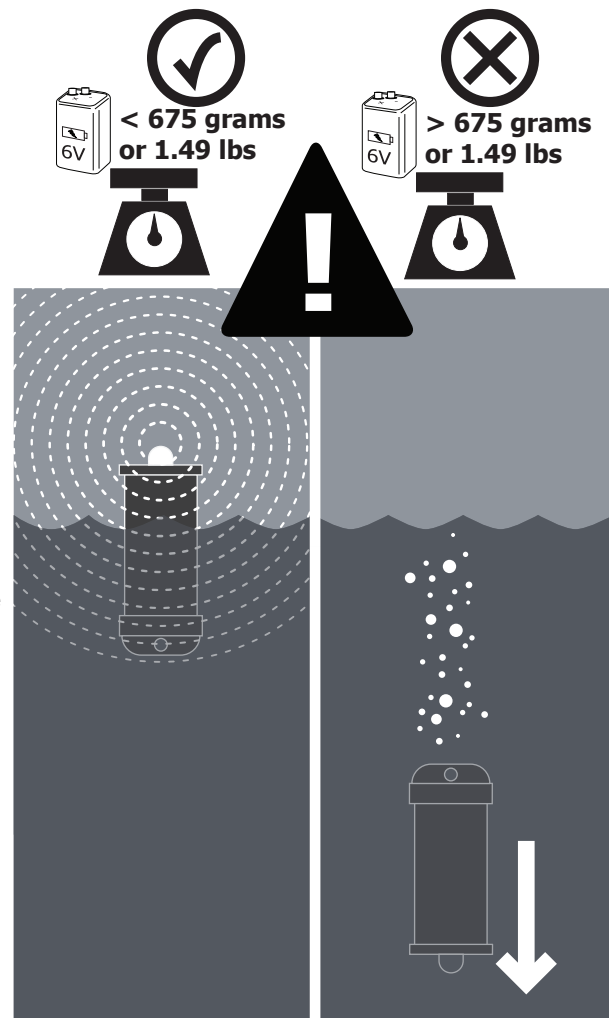
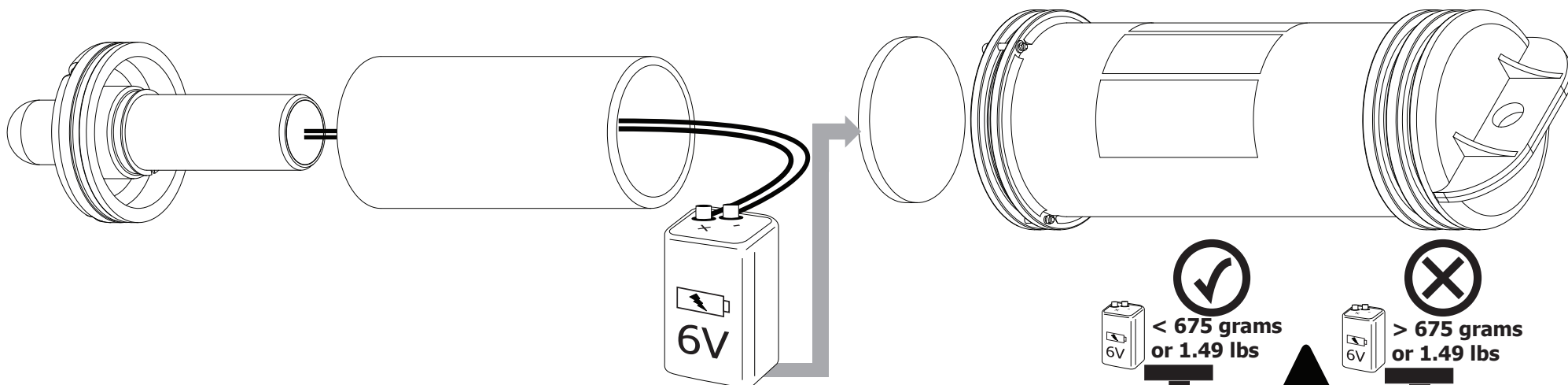


Automatically rights itself in water



Automatically activates with dome up

BATTERY INSTALLATION / INSTALLATION DE BATTERIE / BATTERIE-INSTALLATION/ INSTALACIÓN DE LA BATERÍA



Suggested Screw Terminal batteries:

| BRAND | MODEL NUMBER |
|-----------|------------------------|
| ANSI/NEDA | 915, 915C, 915D, 915AC |
| Duracell | M915, PC915 |
| Rayovac | 942, 945 |
| Eveready | 510S |

NOTE: Check adapter to ensure that screws are tight during regular maintenance

