

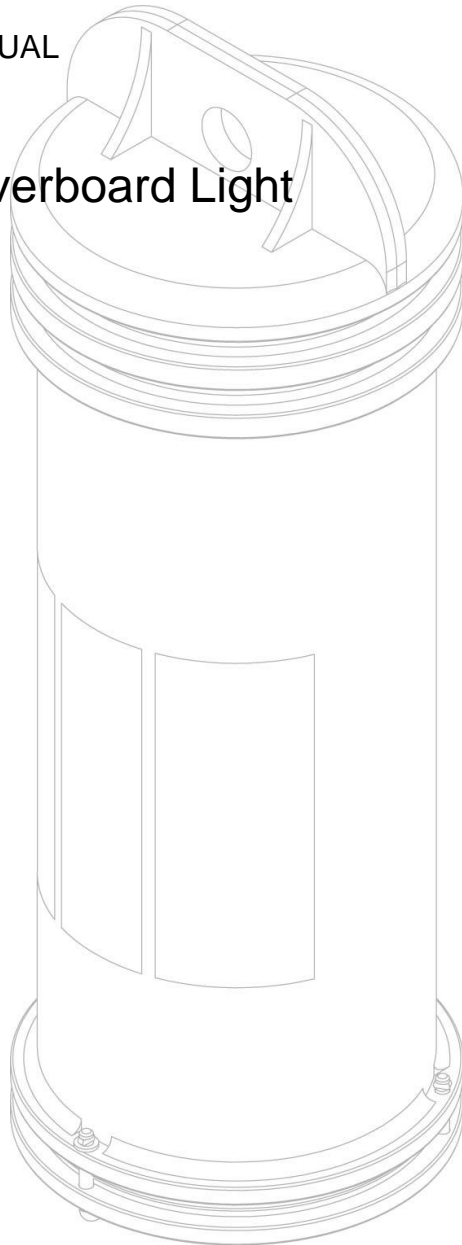
THE SCIENCE **ACR** OF SURVIVAL

PRODUCT SUPPORT MANUAL

SM-2
Automatic Crew-Overboard Light

Product No.: 3940.1

Y1-03-0165 Rev. G



ACR Electronics, Inc. // 5757 Ravenswood Road // Fort Lauderdale // FL // 33312-6645

Tel: +1 (954) 981-3333 // Fax: +1 (954) 983-5087 // www.acrartex.com



**IF YOU HAVE ANY TROUBLE WITH YOUR
NEW LIGHT, DO NOT RETURN
IT TO THE STORE!
CALL ACR ELECTRONICS AT
+1 (954) 981-3333. WE WILL HELP YOU
RESOLVE ANY PROBLEMS YOU MAY BE
EXPERIENCING. MANY QUESTIONS CAN
BE ANSWERED OVER THE PHONE.**

LIMITED WARRANTY

This product is warranted against factory defect in material and workmanship for a period of one year from date of purchase or receipt as a gift. During the warranty period ACR Electronics, Inc. will, at its option, repair or replace the unit at no cost to you for labor, materials or return transportation. For further assistance please contact our Technical Service Department at ACR Electronics, Inc., 5757 Ravenswood Road, Fort Lauderdale, FL 33312-6645. Email: service@acrartex.com, Fax: +1 (954) 983-5087, Telephone: +1 (954) 981-3333

This warranty does not apply if the product has been damaged by accident or misuse, or as a result of service or modification by other than the factory. Except as otherwise expressly stated above, the COMPANY MAKES NO REPRESENTATION OR WARRANTY OF ANY KIND, EXPRESS OR IMPLIED, AS TO MERCHANTABILITY, FITNESS FOR A PARTICULAR PURPOSE, OR ANY OTHER MATTER WITH RESPECT TO THIS PRODUCT. The Company shall not be liable for consequential or special damages.

In order to place the warranty in effect, the accompanying registration card must be returned to us within ten days of purchase.

©2014 by ACR Electronics, Inc. All rights reserved. Reproduction in whole or in part is permitted only with permission of ACR Electronics, Inc. Ongoing product improvements may change product specifications without notice.

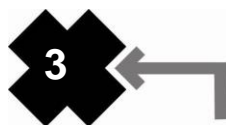
Trademarks or registered trademarks are the property of their respective owners.

TABLE OF CONTENTS

SECTION 1 - INSTALLATION	4
1.1 Installation Procedures	4
1.2 Battery Installation.....	4
SECTION 2 - MAINTENANCE	4
2.1 Operation	4
2.2 Inspection	4
2.3 Disassembly	5
2.4 Assembly	5
2.5 SM-2 Parts List	6
2.6 Accessories	6
SECTION 3 - CHARACTERISTICS	8
3.1 General.....	8
3.2 Purpose.....	8
3.3 Component Ratings	8
3.4 Operation	8
3.5 Construction.....	8
3.6 Lanyard	8
3.7 Mounting Bracket.....	8
3.8 Dimensional Stability.....	8
3.9 Stroboscopic Flashing Light	9
3.10 Battery Connection	9
3.11 Buoyancy	9

**PLEASE READ ALL WARNINGS, CAUTIONS
AND NOTES CAREFULLY**

CAUTION: In order for the marker light to float properly, the 6 volt battery **MUST** not weigh more than 675 grams (1.49 lbs). Exceeding this weight will cause the light to sink.



FOREWORD

We design, manufacture and distribute quality products knowing they are used to save lives. Many of our products are required to be tested and approved by regulatory bodies worldwide. We believe in going beyond those specifications to insure our products work when needed in real world conditions. With proper care and maintenance your ACR product will last for years. It is important that you thoroughly read this product support manual to understand the proper care and use of your ACR product.

ACR is proud to be certified to ISO 9001: 2000, the International Standard for Quality.

Test light buoyancy in shallow water prior to placing in service.

The following battery types are suggested for use in ACR Marker lights:

Suggested Screw Terminal batteries:

BRAND	MODEL NUMBER
ANSI/NEDA:	915, 915C, 915D, 915AC
Duracell:	M915, PC915
Rayovac:	942, 945
Eveready:	510S

Suggested Spring Terminal batteries (must be used in conjunction with the Spring Terminal Battery Adapter included in the SM-2 box as of late 2017):

BRAND	MODEL NUMBER
ANSI/NEDA:	908, 908C, 908D, 908AC
Duracell:	M908, PC908
Rayovac:	941, 944
Eveready:	509, 1209
Energizer:	EN529 (not 529)
Panasonic:	W-4FD

NOTE: Check adapter to ensure that screws are tight during regular maintenance.

SECTION 1 - INSTALLATION

1.1 Installation Procedure

The installation procedure requires that the mounting bracket be securely fastened in any convenient location that would provide immediate access in the event of an emergency.

Suitable length $\frac{1}{4}$ - 20 stainless screws should be used for mounting the bracket. Screw heads should not protrude inside the bracket surface.

1.2 Battery Installation

The SM-2 is normally shipped from the factory without a battery. Follow disassembly instructions in Section 2 of this manual for battery installation. The SM-2 uses a standard 6 volt lantern type battery with screw or spring terminals. A list of recommended batteries can be found above. **Note maximum allowable battery weight listed in Section 3.12.**

SECTION 2 - MAINTENANCE

2.1 Operation

The unit should be tested monthly. Remove the SM-2 from its bracket and invert it. The unit should begin flashing, at a rate of about one flash per second. Re-invert the unit after confirming correct operation.

2.2 Inspection

Check the exterior of the unit for damage which might affect proper operation (damage to globe, cracks in case, etc.). Check bracket security.

2.3 Disassembly

This will ordinarily be required only if testing shows that the light is malfunctioning, or if battery replacement is required. Recommended interval for battery replacement is one year.

- A. Hold the unit on a flat, firm surface, lens side up. Depress the top cap of the unit, by pushing straight down on the top cap assembly, until the swivel locks may be turned outward, clear of the cap.
- B. Grip the light lens (using a clean cloth or gloves for a better grip on the smooth surface and to avoid marring the lens surface) and pull upwards until the top cap is clear of the case.
- C. Turn the unit on its side, open end slightly downwards, to allow the foam filler and battery to slide out.
- D. Disconnect the battery by unscrewing the terminals from the battery posts or the screws from the Spring Terminal Battery Adapter. Remove wires from battery.
- E. Replace the strobe module, if required, as follows:
 - a. Remove foam filler from strobe module, by sliding it off.
 - b. Slip foam spacer over new strobe module to seat in cap recess.
 - c. Inspect O-Ring seal for proper fit. Lubricate with silicone grease.
- F. Replace the battery by securing the two terminals to the battery posts or fastening the screws on the Spring Terminal Battery Adapter. Assure tightness.

NOTE: Connect black lead to (-) post of battery. Connect red lead to (+) post of battery.

- G. Check for proper operation by holding the top cap assembly vertical (light lens up). The unit should flash about once each second. If the unit does not operate, check for proper battery connection.

2.4 Assembly

- A. Hold the case horizontally and slide the battery in, terminal end up (towards the open end of the case).
- B. Lubricate the top cap O-ring with silicone grease and insert the cap and foam spacer into the case.
- C. Place the unit upright on a firm surface, and press the top cap assembly until the cap slips into the case.
- D. Depress the cap until the locking swivels can seat into the provided recesses.
- E. Turn the locking swivels, seat them into the cap recesses and remove pressure from the top to allow it to move upwards and lock.
- F. Check unit operation.

CAUTION: Assure that the locking swivels are properly seated in the cap grooves. Rotate the cap, if necessary, to assure proper seating of the swivels.

2.5 SM-2 Parts List

NOTE: Item numbers refer to Figure 1 on next page.

ITEM	DESCRIPTION	PART NUMBER
1	Case Assembly	A3-06-2295
*2	Case (<i>not shown</i>)	A1-18-1878
*3	Washer, 3 each (<i>not shown</i>)	A1-05-0659-3
*4	Locking Swivel, 3 each (<i>not shown</i>)	A1-17-1283
5	Battery Pad, Foam	A1-18-0773
6	Battery, 6 Volt Lantern Type (see page 4 for recommended batteries) (<i>not shown</i>)	Not Included
7	Foam Filler	A1-18-1877
8	O-Ring (Top Cap)	A1-05-0001-64
9	Top Cap and Lens Tube Assembly	9021.1
10	Mounting Bracket	9438.1
11	Stainless Steel Bracket (<i>Sold separately</i>) (<i>not shown</i>)	9566
12	6VST Spring Terminal Battery Adapter (<i>not shown</i> - included with SM-2 as of late 2017)	A3-06-2389
* Included with Item 1		

2.6 Accessories

DESCRIPTION	PART NUMBER
Repair Kit (contains 3 retaining rings and locking swivels, 1 O-ring and 1 manual)	9286



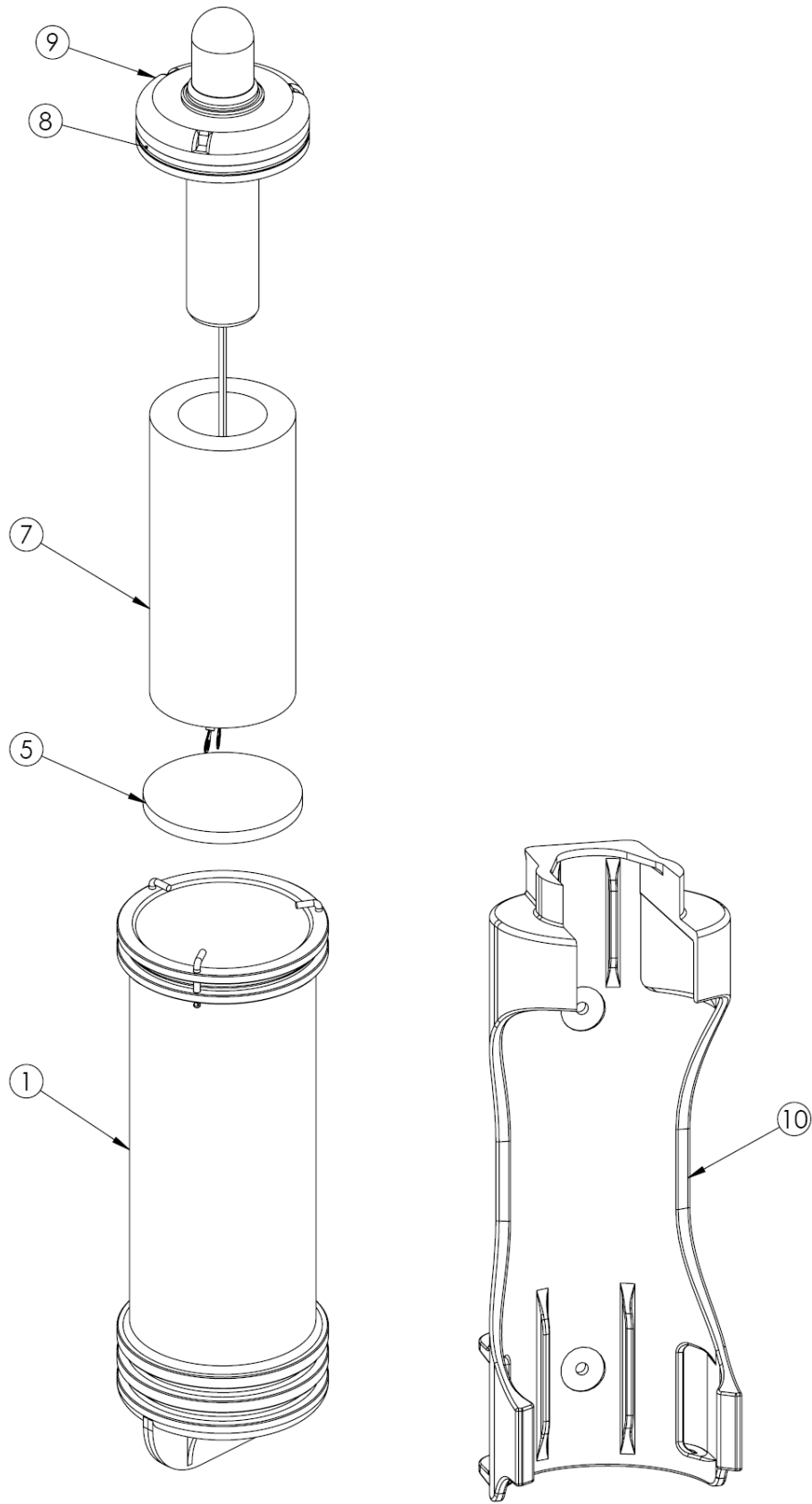


FIGURE 1
EXPLODED VIEW SM-2



SECTION 3 - CHARACTERISTICS

3.1 General

This section describes operating instructions and operational characteristics of the SM-2 Automatic Crew-Overboard Light. The information presented is in conformance with U.S. Coast Guard Specification 46 CFR 161.010 and 161.110.

The SM-2 is a lightweight, compact, battery operated, portable unit which uses modular construction for basic circuits to simplify maintenance and replacement procedures.

The SM-2 has been designed and tested to pass the tough ANSI/UL 1196 and MSC.81(70) requirements.

3.2 Purpose

This unit is a portable electronic floating strobe light which automatically rights itself and begins flashing when dropped into water. The SM-2 is designed to be carried aboard all vessels, as well as artificial islands and fixed structures. It is to be used as part of the required survival equipment complement. The light is used to mark a position in the water, particularly in a crew-overboard situation. It must be installed and used in conjunction with other equipment as required by U.S. Coast Guard Regulations.

3.3 Component Ratings

Circuit design and component selection is such that component ratings cannot be exceeded when the unit is operated throughout the entire range of all environmental tests. The SM-2 uses circuit components and construction techniques, which have been manufactured to the specifications and requirements of various civilian and Governmental agencies.

3.4 Operation

Instructions for operation and maintenance of the SM-2 are given on the instruction plate (see Figure 3). This unit does not possess any exterior operating controls. The circuit is electronically activated by a gravity switch when the unit is inverted.

3.5 Construction

The SM-2 consists of a case with a battery, switch, electric circuit, flashlamp, globe, lanyard attachment flange, mounting bracket, and a buoyant, non-absorbent unicellular polyfoam, used as filler material. The case is made of high-impact plastic, International Orange in color, which is constructed to receive all components necessary to produce the required light output. No additional signaling devices are incorporated in the unit. The lens is designed to withstand all impact tests that are required in this application. The watertight integrity of the equipment is assured by O-Ring seals between surfaces. The unit's ability to withstand any anticipated external forces is assured by the combination of material strength and assembly methods. Ballast consists of a metallic weight permanently secured in the bottom of the case. The case and related compounds do not flow at temperatures below +85°C or crack at temperatures down to -34°C.

3.6 Lanyard

The size, weight, and shape of the light are suitable for conveniently throwing overboard while attached to a life ring buoy by means of a lanyard. A hole is provided in the bottom flange of the case for lanyard attachment.

3.7 Mounting Bracket

The mounting bracket is designed to hold the light in the inverted position and prevent free movement of the light when properly secured within the bracket. The bracket is made of a corrosion-resistant plastic and is arranged for mounting on a vertical surface.

3.8 Dimensional Stability

The SM-2 is capable of undergoing specified temperature humidity cycles with no signs of shrinkage or distortion which might impair its serviceability or watertightness.

3.9 Stroboscopic Flashing Light

The SM-2 Flashing Light uses a capacitor discharge xenon flashtube and meets the following requirements:

- A. A completely sealed solid state circuit converts power from the battery and supplies it to the flashtube.
- B. A suitable capacitor discharge xenon flashtube is provided which is compatible with the electronic flashing circuit and lens to provide the required light output. The service life of this flashtube is rated for over 1,000,000 flashes.
- C. The light will flash at a rate of 60 ± 1 flashes per minute with a minimum intensity of 2 cd for a minimum of 15 hours. Light from each flash is radiated in all directions of upper hemisphere.

3.10 Battery Connection

All operating voltages are furnished by an integral battery pack. Operating voltage is 6.0 VDC. (Shipped without battery from factory)

Electrical connections between the main circuit board and the associated battery are accomplished by the use of clearly marked terminals and color-coded lead wires.

3.11 Buoyancy

The SM-2 is independently buoyant.

A matter of balance

Marker lights need to float upright for maximum visibility. The 6 volt lantern batteries provide the ballast for these lights. Although these batteries are the same size, their different chemistries cause them to have varying weights. It is imperative that only the 6 volt battery models suggested are used. Too little ballast and the light will lie over on its side and be ineffective; too much weight and the light could sink. If you have any doubts that you are using a battery of appropriate weight, test the light by placing it into shallow water. The results will be obvious; if the light floats upright, it's good. If the light sinks, the battery is too heavy.

3.12 Technical Data

Pertinent technical data is listed below:

ITEM	CHARACTERISTICS
Dimensions	13.65" (34.67 cm) length
	4" (10.16 cm) diameter
Weight	3 lbs, 4 oz. (1.474 Kg), including battery
	1 lb, 13 oz. (.822 Kg), excluding battery
Modules (1)	Completely sealed electronics
Flashing Rate	60 times per minute ± 1
Flashing Light Intensity	Minimum of 2 candelas per flash in all directions of upper hemisphere
Power Requirement	Standard 6.0 volt lantern battery with screw or spring terminals
Material	Plastic blend case, lexan lens
Activation	Automatic gravity switch
Bracket	Plastic blend mounting bracket
Recommended Battery Replacement Interval	1 Year
Max battery weight	1.49 lbs (675 grams)

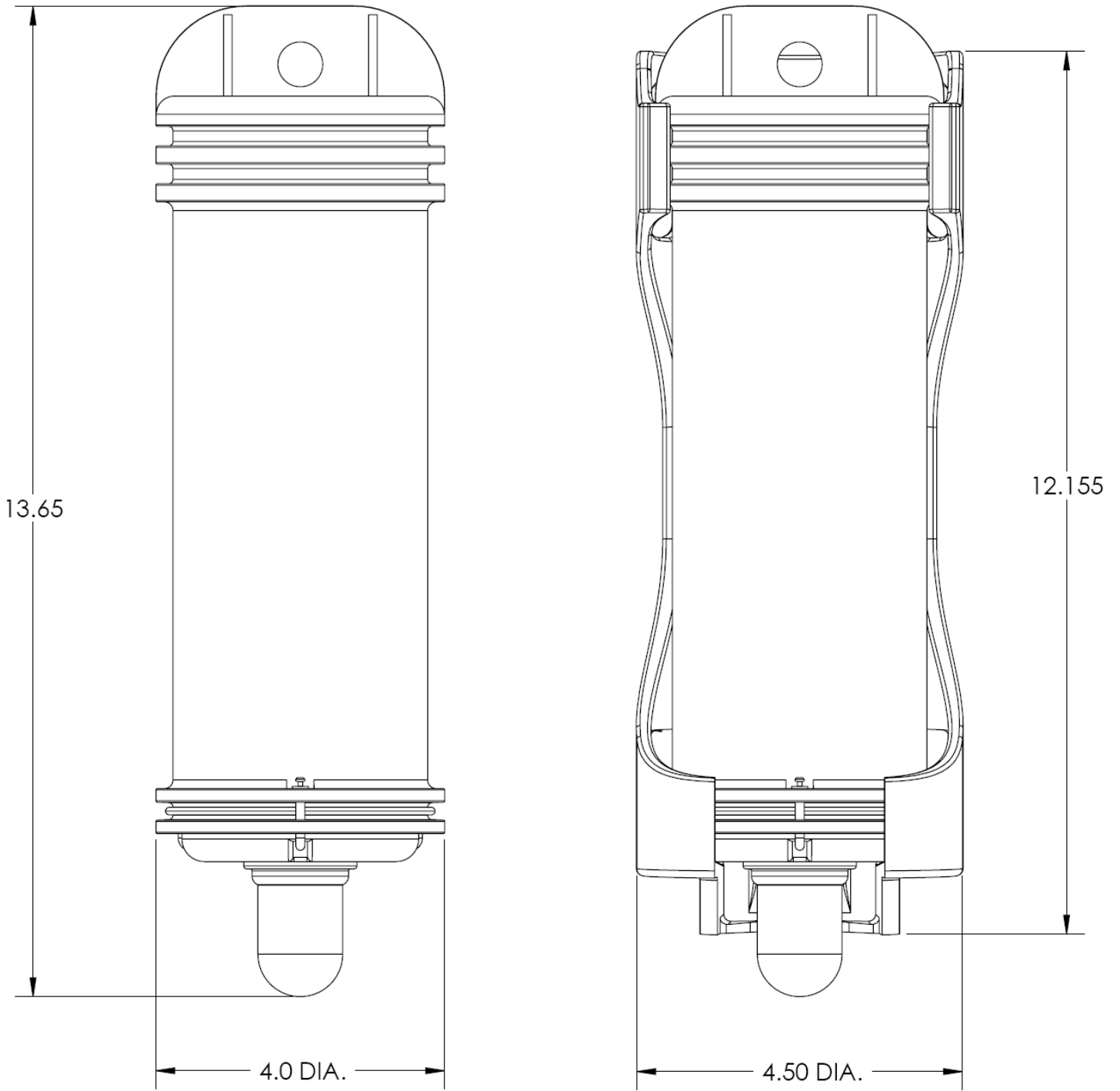


FIGURE 2
OUTLINE AND DIMENSIONAL SKETCH

**FIGURE 3
INSTRUCTION PLATE LABEL**


CAUTION:
MAX WEIGHT: 675 g/1.49 lbs
SUGGESTED BATTERY TYPES
SCREW POST:
 ANGI/NEDA: 915, 915C, 915D, 915AC
 DURACELL: M915, PC915
 EVEREADY: S105
 RAYOVAC: 942, 945

EXCEEDING MAX WEIGHT MAY CAUSE UNIT TO SINK. CHECK FLOTATION IN SHALLOW WATER BEFORE PLACING INTO SERVICE.

Manufacturing Date

Jan	Feb	Mar	Apr	May	Jun
⊗	⊗	⊗	⊗	⊗	⊗
Jul	Aug	Sep	Oct	Nov	Dec
⊗	⊗	⊗	⊗	⊗	⊗
2014	2015	2016	2017		
⊗	⊗	⊗	⊗		

ACR Electronics, Inc.
 5757 Ravenswood Rd.
 Ft. Lauderdale, FL 33312
www.ACRARTEX.com




**SM-2
BUOY LIGHT**

P/N 394011
 AUTOMATIC CREW-OVERBOARD
 MARKER LIGHT (SOLAS)
 U.S. COAST GUARD
 APPROVAL No. 161.010/2771
 U.S. COAST GUARD (SOLAS)
 APPROVAL No. 161.110/2771
 LSA CODE, RES. MSC. 81(70)
 WARNING: DISTRESS SIGNAL IN
 ACCORDANCE WITH 33 CFR PART 87
 ANNEX IV

**FOR EMERGENCY USE ONLY. OTHER
 USE PROHIBITED. MISUSE SUBJECT
 TO FINE
 AND/OR IMPRISONMENT. SECTION 3,
 PUB. L. 96-591. 33U.S.C. 2071.**

**OPERATION AND
MAINTENANCE**



4. Check operation monthly.
5. Inspect lens for condensation monthly.
6. Replace battery at least yearly.
7. Check O-rings for nicks and cuts when re-assembling. Replace if required. Grease with silicone based compound.
8. Install battery with terminals towards open end of case. Red wire to positive. Black wire to negative.
9. Following installation of the top cap, assure locking swivels are properly seated in cap groves.

A110-1178 Rev. 1

Y1-03-0165 Rev. G

11