



# ACR RCL-75

12V 180,000 CD Remote-Controlled Searchlight



## SEARCHLIGHTS



THE SCIENCE OF SURVIVAL



Scan With Phone  
[www.ACRARTEX.com](http://www.ACRARTEX.com)



# ACR RCL-75

## 12V 180,000 CD Remote-Controlled Searchlight



Destined to become the choice of small-craft professionals, this rugged workhorse features a redundant, dual halogen lamp design for incredible reliability. Electronics are located in the water-resistant light head instead of the base for increased protection. The innovative "direct drive" system eliminates uncontrolled light movement in choppy conditions.

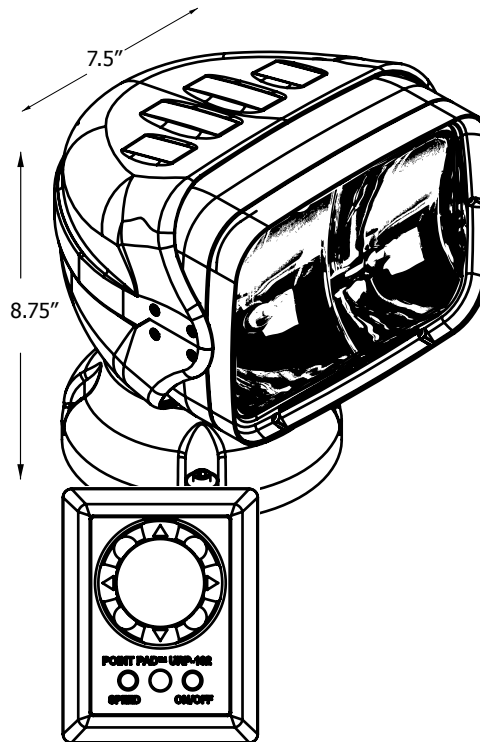
Application: Pleasure boats, sport yachts, sport fish, and commercial vessels.

- Twin high-intensity 55-watt Halogen bulbs rated for 200 hours of use
- Ocular design provides 18° up/45° down pitch for enhanced visibility for docking, illuminating drawbridge towers, etc.
- Heavy-duty gear teeth and electric motors
- Easy to install Point Pad™ remote control with surface or flush mount options.

- Add an adapter and another Point Pad™ for remote, second station operation
- ASA housing material maintains integrity after five years of UV exposure
- Water resistant light head provides electronic components protection from water intrusion
- 7-pin wiring harness, 17 ft. (5.18 m) length with waterproof connector at the light

## SPECIFICATIONS

Product Number	1946
Size	7.5 x 8.75 x 7.5" (19.1 x 22.2 x 19.1 cm)
Weight	4.2 lbs (1.9 kg)
Material	UV ASA
Color	White
Operation	Remote controlled Point Pad™
Beam Angle	3° vertical, 7° horizontal
Elevation Angle	18° up, 45° down
Rotation	361°
Rotation Speed	6-7° per second,
Elevation Speed	6-7° per second (12 VDC)
Lamp	Two high intensity 55W Halogen
Accessories	Secondary Point Pad™ (P/N 9428) Stackable 1" riser (P/N 9427) 2nd station cable harness (P/N 9426) Second station harness adapter (P/N 9442)
Footprint Diameter	5.4" (138.1 mm)
Limited Warranty	1 Year
Carton Dimensions	10 x 9 x 9" (25.4 x 22.9 x 22.9 cm)
Carton Weight	7 lbs (3.2 kg)



- 12V 180,000 candela
- High efficiency electronics
- Use up to 3 Point Pad™ remote units
- Ergonomic, compact design
- Twin 55W halogen bulbs
- Marine tough design for years of useful service

For further information please contact:

**ACR Electronics, Inc.**  
5757 Ravenswood Road  
Fort Lauderdale, FL 33312

Tel: (954) 981.3333  
Fax: (954) 983.5087  
Email: sales@acrartex.com